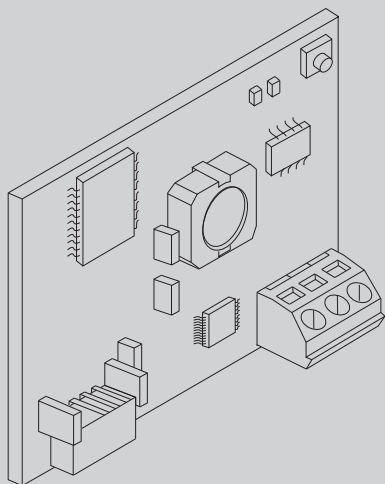


OPTIONAL BOARD



INSTALLATION MANUAL

# B EBA WI-FI GATEWAY



Wi-Fi

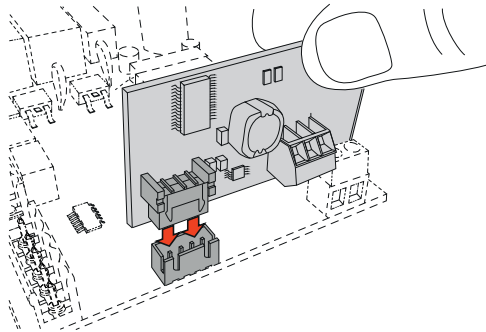
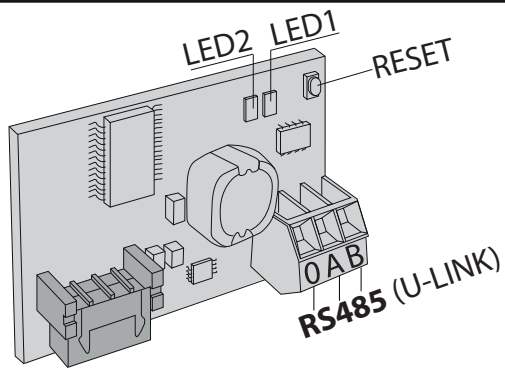


U-LINK

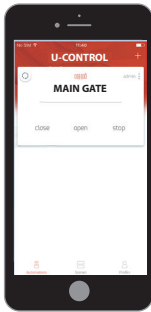


**BAUER**  
Bauer Systemtechnik GmbH, Geschäftsführer: Franz Bauer  
Gewerbering 17, D-84072 Au i. d. Hallertau  
Tel.: 0049 (0)8752-865809-0, Fax: 0049 (0)8752-9599  
E-Mail: [info@bauer-tore.de](mailto:info@bauer-tore.de)

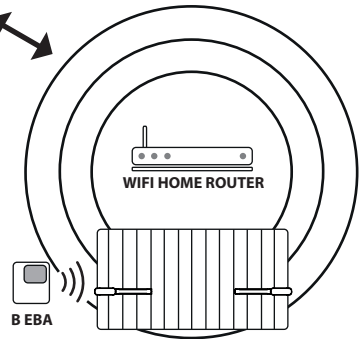
A



INTERNET



Download from:



### 1) GENERAL INFORMATION

The B EBA WI-FI GATEWAY module allows controlling a u-link compatible automation via the **U-CONTROL** app that lets you connect to the local network of BFT U-LINK compatible devices using TCP/IP technology on the WI-FI network.

To use other applications, please refer to the complete manual at [www.bft-automation.com/apps/ucontrol](http://www.bft-automation.com/apps/ucontrol)

The B EBA WI-FI GATEWAY module must be connected to the only local network device with the address 0.

**TO USE VIA U-CONTROL, RESET THE FACTORY SETTINGS (REF. X) OF THE B EBA WI-FI GATEWAY AND FOLLOW THE INSTRUCTIONS IN THE APP ITSELF.**

### 2) TECHNICAL SPECIFICATIONS

Operating temperature	-20°/+50° C
B EBA WI-FI GATEWAY band	2400-2483,5 MHz
Dimensions	42 x 29 mm (HxL)

Transmit Power	+16dBm
Receiving Sensitivity	-98dBm
Wi-Fi	- 802.11: b/g/n - Bit rate: 72.2 Mbps - Safety: OPEN, WPA2/ WPA Personal and WEP

### 3) RESTORING FACTORY SETTINGS

Attention: it restores the factory pre-set settings.

- Press without releasing the RESET button (Fig.A) for 5 seconds.
- After releasing the LED1 button, the LED2 flashes quickly once.

### 4) DIAGNOSTICS (Fig.A)

LED	STATUS	MEANING
LED 1	Fixed Led	Proper initialization and supply of the module
LED 1	Led flashing	Faulty board
LED 2	Led access	The LED detects the U-Link connection to the board